

HOW TO ORDER NORCO IN-LINE FILTERS

Select appropriate symbols and build a model code as shown in example below.

EXAMPLE: IL - R - * - D - AL - 25 - 25 - 16/16 - IL - HW

CONFIGURATION

IN-LINE STANDARD = IL
IN-LINE PRESSURE = ILP

HOUSING TYPE

IL UNITS

SUCTION LINE (INTAKE) = I
RETURN LINE (300 PSI MAX) = R

ILP UNITS

MEDIUM PRESSURE (500 PSI MAX) = MP
(A & B BODIES ONLY AMP, BHP)
HIGH PRESSURE (3000 PSI MAX) = HP
(DUCTILE IRON ONLY, ALL HIGH
PRESSURE BODIES AMP, BHP, DHP)

DESIGN NUMBER = *
(SUPPLIED BY NORCO)

HOUSING SIZE

A BODY = A
B BODY = B
D BODY = D

HOUSING MATERIAL

ALUMINUM = AL
BRASS = BR
DUCTILE IRON = DI

ELEMENT PORE SIZE

238 MICRON (60-MESH WIRE) = 238
149 MICRON (100-MESH WIRE) = 149
74 MICRON (200-MESH WIRE) = 74
40 MICRON (325-MESH WIRE) = 40
25 MICRON (165 x 800-MESH WIRE) = 25
ONE-LAYER (SYNTHETIC) = 40s
TWO-LAYER (SYNTHETIC) = 15s
20 MICRON (PAPER) = 20c
10 MICRON (PAPER) = 10c
3 MICRON (PAPER) = 3c

Other Micron Sizes Available

PRESSURE DROP CONTROL

SUCTION LINE UNITS
2 PSI (4" Hg) = 2
3 PSI (6" Hg) = 3

ALL OTHER UNITS

10 PSI = 10
25 PSI = 25
NO BYPASS = 0

When ordering a NO BYPASS condition we recommend that an indicator be ordered on the unit. Specify the Indicator Differential Pressure Setting. EXAMPLE: 025

**BRASS AVAILABLE ONLY ON BODY STYLES A & B

OPTIONS*

GB = RETURN AND PRESSURE GAUGE PORT (BOTTOM)
CR = INTAKE GAUGE PORT (RIGHT SIDE)
CL = INTAKE GAUGE PORT (LEFT SIDE)
R = MOUNTING HOLES (RIGHT SIDE)
L = MOUNTING HOLES (LEFT SIDE)
IR = MECHANICAL INDICATOR (RIGHT SIDE)
IL = MECHANICAL INDICATOR (LEFT SIDE)
3R = ELECTRICAL INDICATOR (RIGHT SIDE)
3L = ELECTRICAL INDICATOR (LEFT SIDE)
4R = ELECTRICAL INDICATOR (RIGHT SIDE)
4L = ELECTRICAL INDICATOR (LEFT SIDE)
M = MAGNET ROD ASSEMBLY
WR = WALL BRACKET (RIGHT SIDE)
WL = WALL BRACKET (LEFT SIDE)
FR = FOOT BRACKET (RIGHT SIDE)
FL = FOOT BRACKET (LEFT SIDE)
V = VITON FITTED
EP = EPR FITTED
HW = HIGH WATER BASE FITTED (ALUMINUM ONLY)

AVAILABLE ON
A & B BODY
STYLES ONLY

*WHEN ORDERING OPTIONS, ONLY (1) OPTION MAY BE ORDERED ON EACH SIDE OF THE FILTER.

PORT SIZE (INDICATE INLET FIRST & OUTLET SECOND)

BODY STYLE A ALL HOUSING TYPES
4 = 1/2" NPTF
6 = 3/4" NPTF

BODY STYLE B ALL HOUSING TYPES
8 = 1" NPTF
10 = 1 1/4" NPTF
12 = 1 1/2" NPTF

BODY STYLE D ALL HOUSING TYPES
10 = 1 1/4" NPTF
12 = 1 1/2" NPTF
16 = 2" NPTF

AVAILABLE OPTIONAL PORTING SEE BELOW

HOW TO ORDER SPARE IN-LINE FILTER ELEMENTS

When ordering replacement elements, identify them by giving the first, second, third, fourth, sixth and seventh symbols in the model code. When a replacement element is ordered for a filter unit which has been Viton fitted or EPR fitted, please indicate type of seals used.

V = VITON FITTED EP = EPR FITTED

EXAMPLE: IL - R - * - B - 74 - 25 - EP

OPTIONAL PORTING IN-LINE FILTERS

F* PORTS: FILTER PORT TO HAVE SAE FLANGE AVAILABLE ONLY ON STYLES D & DHP SELECT APPROPRIATE CODE BELOW FOR TYPE AND SIZE OF FLANGE PORTING REQUIRED.

EXAMPLE FOR CODE IN BOX 8: F88
FLANGE PORTED SAE STRAIGHT THREAD 1" O.D.

S PORTS: FILTER WITH SAE STRAIGHT THREAD PORT AVAILABLE ON ALL STYLES AS SHOWN

CODE	SIZE	AVAILABLE ON
S4	1/2"	A, AMP, AMP
S6	3/4"	A
S8	1"	B, BHP, BHP
S10	1 1/4"	B, D
S12	1 1/2"	D, DHP

F PORTS: FILTER WITH HOUSING MACHINED TO ACCEPT SAE FLANGES Available only on Styles D & DHP

Use only the letter "F" for your code in Box 8.
SAE SIZE CONFIGURATIONS ARE D & DHP = 2"

CV* PORTS: INLET PORT CHECK VALVE OPTION - INCLUDES FLANGE VALVE OPTION - INCLUDES FLANGE SELECT FLANGE PORTING AVAILABLE AS SHOWN. EXAMPLE CVS12 = INLET CHECK VALVE WITH FLANGE PORTED 1 1/2" SAE STRAIGHT THREAD O.D. CHECK VALVES ARE ONLY AVAILABLE ON D & DHP UNITS - WITH EITHER 1 1/2" SAE STRAIGHT THREAD OR 2" NPTF

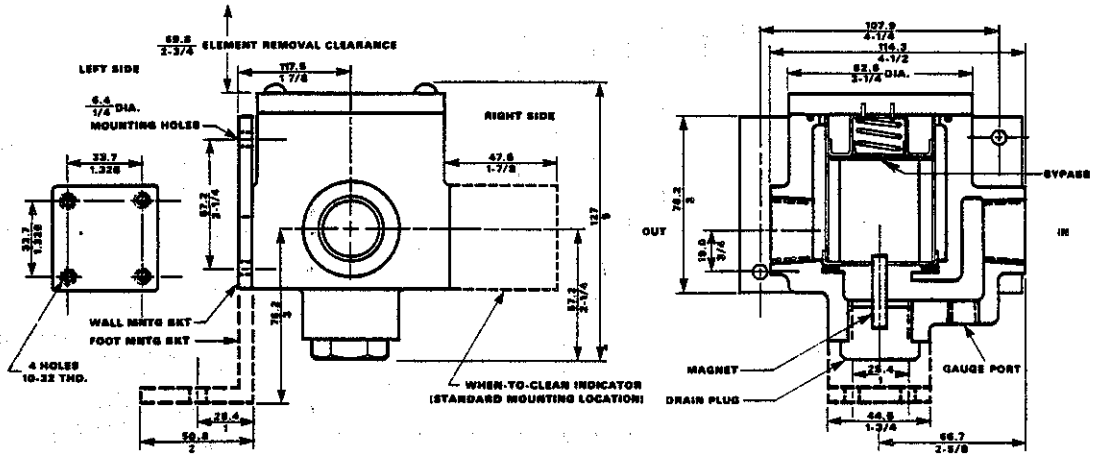
AVAILABLE FLANGE PORTING

CODE	SIZE
8	1"
10	1 1/4"
12	1 1/2"
16 (STANDARD)	2"

*NPTF FLANGE PORTING IS STANDARD - FOR SOCKET WELD PORTING ADD "W" AFTER PIPE SIZE FOR SAE STRAIGHT THREAD ADD "S" BEFORE PIPE SIZE (2" SAE STRAIGHT THREAD NOT AVAILABLE)

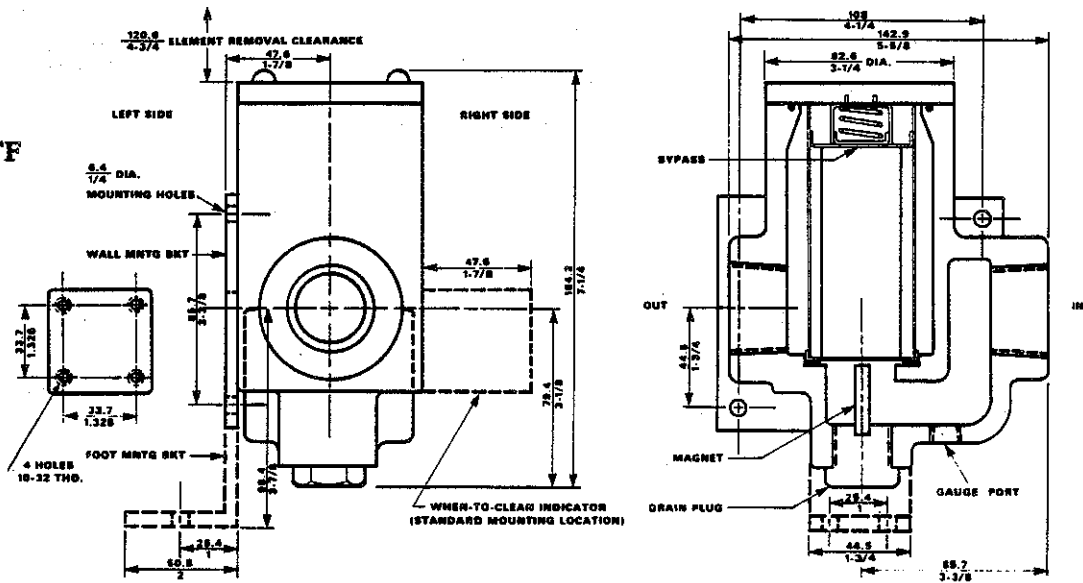
'A' BODY

Port Sizes:
1/2 & 3/4 NPTF



'B' BODY

Port Sizes:
1, 1-1/4, 1-1/2 NPTF



'D' BODY

Port Sizes:
1-1/4, 1-1/2, 2 NPTF

