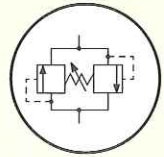




# RELIEF VALVE

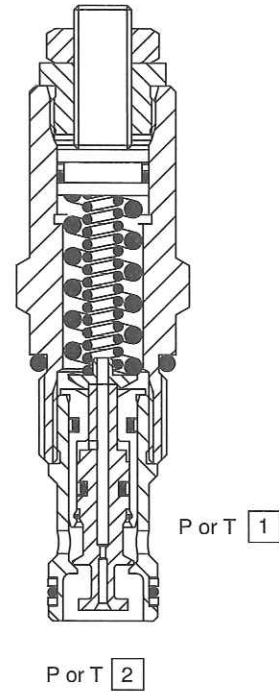
## A6A060

UP TO  $\frac{100 \text{ l/min}}{26 \text{ USgpm}}$   
 AND  $\frac{350 \text{ bar}}{5000 \text{ psi}}$



### CROSSOVER RELIEF VALVE, COMBINED IN ONE BODY.

- Compact space saving design.
- Cost-effective - only requires one cavity.
- Poppet-type construction for lower leakage.
- Hardened poppet for minimal wear resulting in longer life.
- Full 350 bar **5000 psi** pressure capability.
- High flow capability for the size of valve, 100 l/min **26 USgpm**.
- Adjustable and tamperproof versions available.

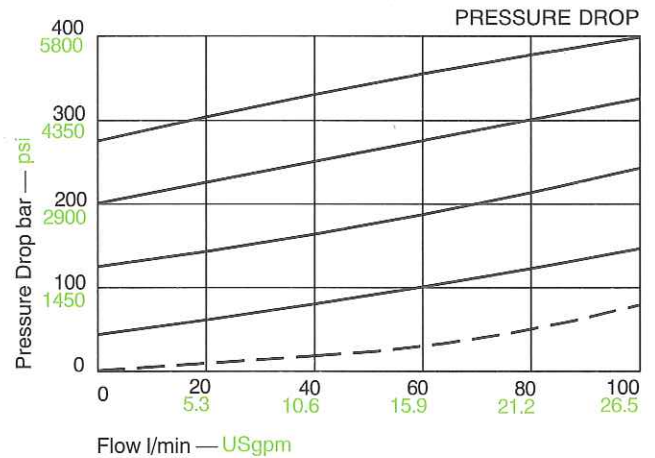


### SPECIFICATIONS

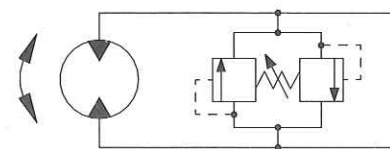
BASIC MODEL NUMBER	<b>A6A060</b>
SYMBOL	
RATED FLOW	100 l/min <b>26 USgpm</b>
PRESSURE	50 - 350 bar <b>700 - 5000 psi</b>
MAX. REVERSE PRESSURE	350 bar <b>5000 psi</b>
FLUID	MINERAL BASED OIL OR SYNTHETIC FLUID WITH LUBRICANT PROPERTIES
VISCOSITY RANGE	5 - 50 cSt — <b>42 - 232 SSU</b>
SEAL MATERIAL (STD.)	NITRILE — <b>BUNA-N</b>
TEMPERATURE RANGE	-30°C TO +90°C <b>-22°F TO +194°F</b>
FILTRATION	25 MICRONS (NOM.) OR BETTER
CAVITY	2B
WEIGHT	0.25kg <b>0.55lb</b>

### TYPICAL PERFORMANCE

Mineral Oil 30 cSt — **141 SSU**

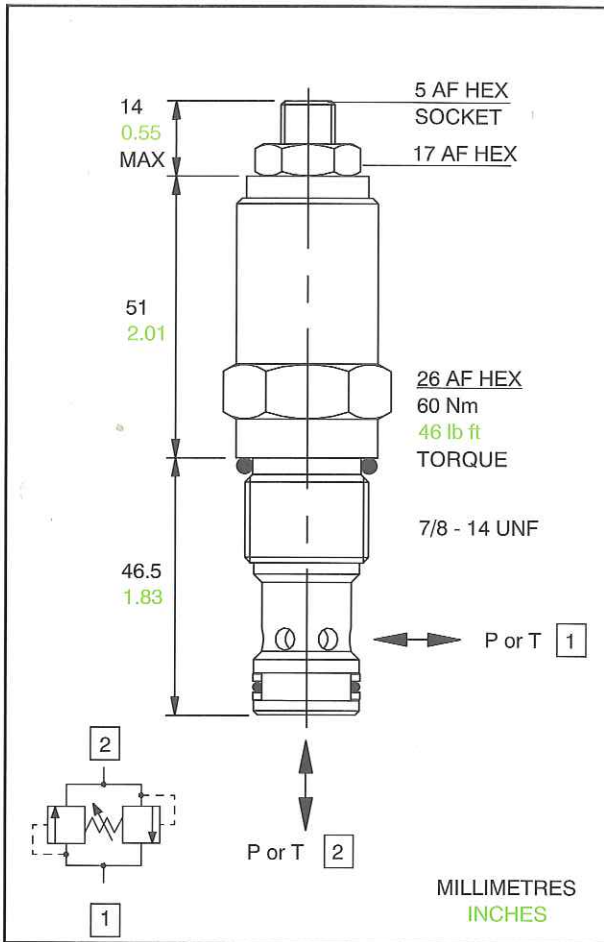


### APPLICATIONS



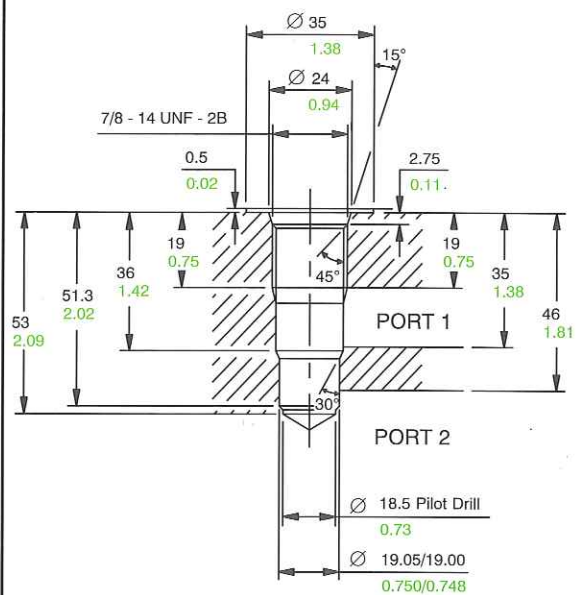
Motor protection in both directions.

## DIMENSIONS



## CAVITY DETAIL

2B



CAVITY TOOLING AVAILABLE :-

PILOT DRILL Ø	18.50 0.73	REAMER (STEEL)	8RM31001S
STEP DRILL	8DS31301	COUNTERBORE	8CB31101
REAMER (ALUM)	8RM31001A	TAP	8TP31201

## CARTRIDGE

A6A060

BASIC PART NUMBER		
ADJUSTER	Z - ADJUSTABLE W - HANDKNOB T - TAMPERPROOF	
FLOW AT PRESSURE SETTING	OMIT FOR STANDARD (See below) SPECIFY SETTING IF NON-STANDARD	Flow l/min
PRESSURE SETTING		Pressure bar
SEAL MATERIAL	N - NITRILE — BUNA-N (Std.) V - VITON (Option)	

STD. SETTING 100 BAR AT 20 L/MIN.  
ORDER AS A6A060ZN

## LINE BODY

LB10

PORTING	003 - G 3/4 058 - 3/4 SAE
LINE BODY MATERIAL	A - ALUMINIUM 210 bar 3000 psi Light duty S - STEEL Heavy duty
SEE LINE BODY DATA SHEET	

SEAL KIT	SK30001N(V)-1
----------	---------------

TAMPERPROOF KIT	TC1125
-----------------	--------

**STERLING**  
HYDRAULICS